



Hydropress Containers

HPK



- optimum for economical hygienically environmental demands
- rapid investment costs return
- easy handling

HPK - 02/2006-HR

HPK 5

HPK 10

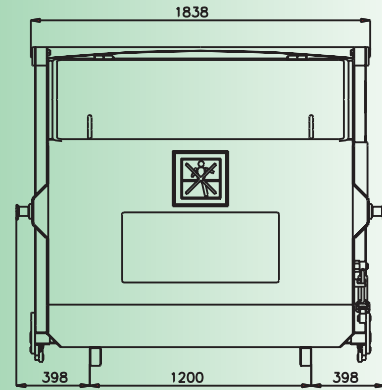
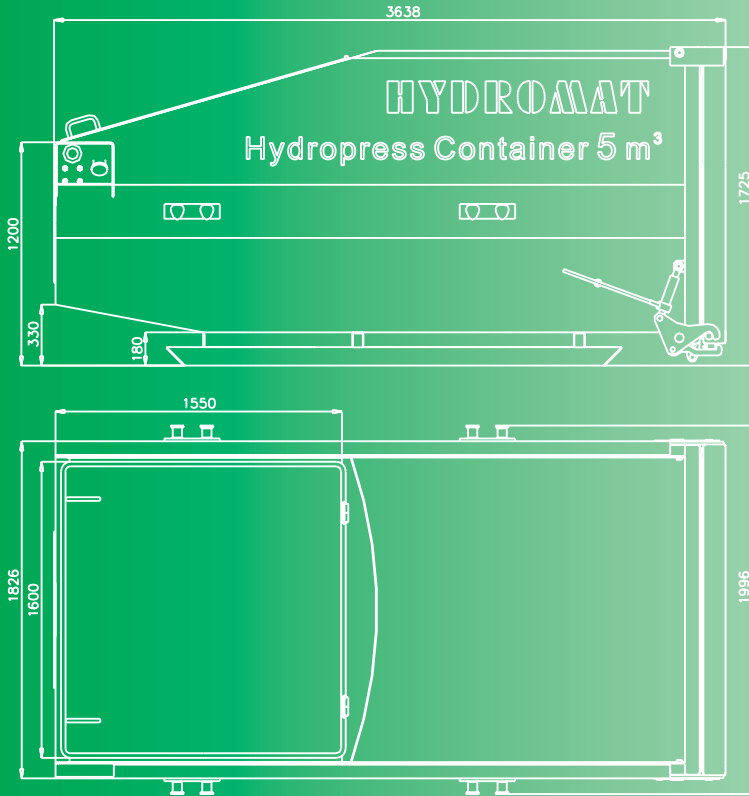
Total Container volume

5 m^3

 10 m^3

5 up to 10 time volume reduction of municipal and packaging waste

PORTABLE CONTAINERS WITH HYDRAULIC PRESS FOR COMPACTION OF PACKAGING AND MUNICIPAL



Quick and simple HPK handling.

GENERAL TECHNICAL DATA:

MICROPROCESSOR CONTROLLED WASTE COMPACTION PROCESS MAKES IT FULLY ADAPTABLE TO ALL WASTE TYPES, ALSO RELIABLE AND EASY OPERATION.

WORK PERFORMANCE

A - Press container - standard performance with signaling of the fill level and other work functions. Signaling is located on the container - without remote controlling.

B - Press container - performance identically on A with remote signaling and controlling all functions.

C - Networked Press containers - performance on B is software networked, remote signaling and controlling all functions, unlimited number of the press containers.

HIGH SPEED WASTE COMPACTION - CCA 30 SEC.

HYDROCOMPRESSOR CONTAINER IS DESIGNED FOR THE STANDARD MEANS OF TRANSPORTATIONS BY TRUCK-LIFTER OR BY TRUCK HAULER.

INNER SLIP SURFACE CONE DESIGN ENABLES EASY AND COMPLETE DISPOSAL OF COMPACTED MATERIAL.

COMPREHENSIVE EXPERIENCE IN HYDRAULIC EQUIPMENT PRODUCTION GUARANTEES LONG LASTING AND RELIABLE HYDROCOMPRESSOR CONTAINER OPERATION.

OPTIONAL: COMPLETELY SEALED, NO LEAKAGE OR ODOR SPREAD - SATISFY HIGHEST HYGIENICALLY DEMANDS.



HYDROMAT INŽENJERING d.o.o.

Horvatsko 72, 42240 Ivanec, CROATIA

Tel. + 385 42 781 528

+ 385 42 781 357

Fax. +385 42 782 338

e-mail : hydromat@hydromat.hr

Device Type	Volume	Presscontainer dimensions	Power
HPK 5	5 m ³	3400x1600 / 1750x1600	4 kW
HPK 10	10 m ³	4400x1700 / 1900x2100	5,5 kW