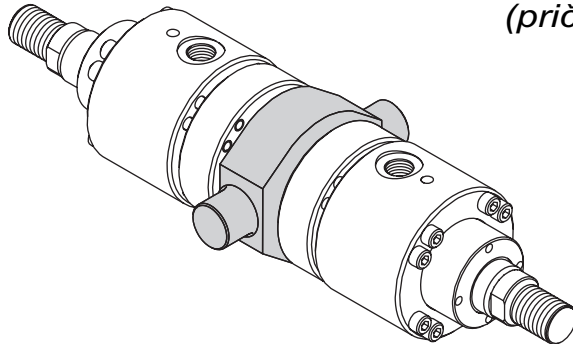
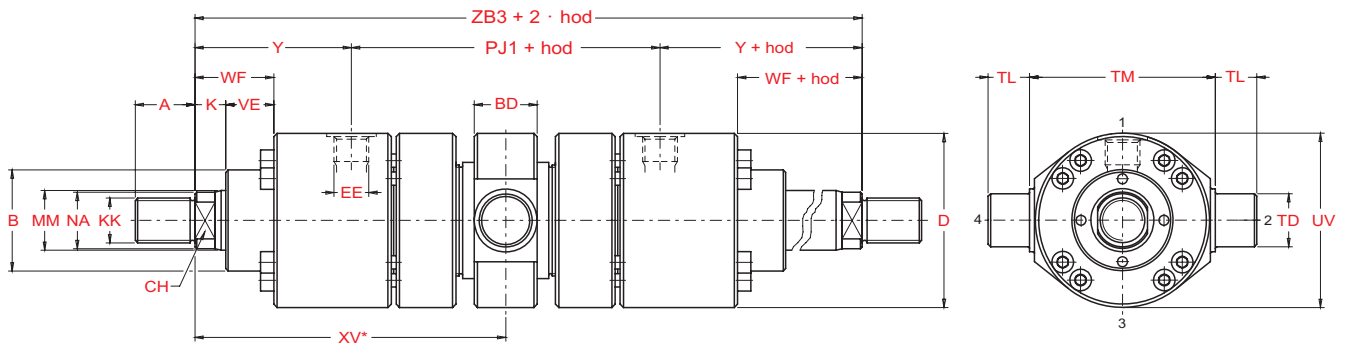


Njihajuće centralno pričvršćenje - dvostrana klipnjača (pričvršćenje nije prema standardu ISO)

**MT4**

Tip 06



MM - promjer klipnjače

| Klip Ø | MM Ø | A | B ⁵⁾ Ø | CH | D _{max} Ø | EE (BSP) | KK (Metric) | NA Ø | K | VE | WF | BD | TD ⁸⁾ Ø | TL | TM ^{h13)} | UV Ø | XV min. | XV + hod max. | Y | PJ1 | ZB3 | hod min. |
|-------------------|---------|-----|----------------------|-----|-----------------------|-------------|----------------|---------|----|-----|-----|-----|-----------------------|-----|--------------------|---------|------------|------------------|-----|-----|-----|-------------|
| 50 | 32 | 36 | 63 | 28 | 105 | 1/2" | M27x2 | 31 | 18 | 29 | 47 | 38 | 32 | 25 | 112 | 105 | 180 | 144 | 98 | 126 | 322 | 45 |
| | 36 | | 32 | 35 | | | | | | | | | | | | | | | | | | |
| 63 | 40 | 45 | 75 | 34 | 122 | 3/4" | M33x2 | 38 | 21 | 32 | 53 | 48 | 40 | 32 | 125 | 122 | 195 | 160 | 112 | 134 | 358 | 45 |
| | 45 | | 36 | 43 | | | | | | | | | | | | | | | | | | |
| 80 | 50 | 56 | 90 | 43 | 145 | 3/4" | M42x2 | 48 | 24 | 36 | 60 | 58 | 50 | 40 | 150 | 145 | 220 | 175 | 120 | 153 | 393 | 60 |
| | 56 | | 46 | 54 | | | | | | | | | | | | | | | | | | |
| 100 | 63 | 70 | 110 | 53 | 175 | 1" | M48x2 | 60 | 27 | 41 | 68 | 73 | 63 | 50 | 180 | 175 | 245 | 185 | 134 | 165 | 433 | 80 |
| | 70 | | 60 | 67 | | | | | | | | | | | | | | | | | | |
| 125 | 80 | 90 | 132 | 65 | 210 | 1" | M64x3 | 77 | 31 | 45 | 76 | 88 | 80 | 63 | 224 | 210 | 290 | 220 | 153 | 204 | 510 | 95 |
| | 90 | | 75 | 87 | | | | | | | | | | | | | | | | | | |
| 140 ⁵⁾ | 90 | 100 | 145 | 75 | 255 | 1" 1/4 | M72x3 | 87 | 31 | 45 | 76 | 98 | 90 | 70 | 265 | 255 | 330 | 240 | 181 | 208 | 570 | 115 |
| | 100 | | 85 | 96 | | | | | | | | | | | | | | | | | | |
| 160 | 100 | 110 | 160 | 85 | 270 | 1" 1/4 | M80x3 | 96 | 35 | 50 | 85 | 108 | 100 | 80 | 280 | 270 | 340 | 255 | 185 | 225 | 595 | 115 |
| | 110 | | 95 | 106 | | | | | | | | | | | | | | | | | | |
| 180 ⁵⁾ | 110 | 125 | 185 | 95 | 315 | 1" 1/4 | M90x3 | 106 | 40 | 55 | 95 | 118 | 110 | 90 | 320 | 315 | 390 | 270 | 205 | 250 | 660 | 150 |
| | 125 | | - | 121 | | | | | | | | | | | | | | | | | | |
| 200 | 125 | 140 | 200 | - | 330 | 1" 1/4 | M100x3 | 121 | 40 | 61 | 101 | 133 | 125 | 100 | 335 | 330 | 430 | 280 | 220 | 271 | 711 | 180 |
| | 140 | | - | 136 | | | | | | | | | | | | | | | | | | |
| 250 | 160 | 180 | 250 | - | 410 | 1" 1/2 | M125x4 | 155 | 42 | 71 | 113 | 180 | 160 | 125 | 425 | 410 | 505 | 320 | 260 | 308 | 828 | 220 |
| | 180 | | - | 175 | | | | | | | | | | | | | | | | | | |
| 320 | 200 | 220 | 320 | - | 510 | 2" | M160x4 | 195 | 48 | 88 | 136 | 220 | 200 | 160 | 530 | 510 | 590 | 380 | 310 | 350 | 970 | 260 |
| | 220 | | - | 214 | | | | | | | | | | | | | | | | | | |
| 400 | 250 | 280 | 400 | - | 628 | 2" | M200x4 | 242 | 53 | 110 | 163 | 270 | 250 | 200 | 630 | 628 | 630 | 340 | 310 | 355 | 975 | 340 |
| | 280 | | - | 270 | | | | | | | | | | | | | | | | | | |

5) Promjer klipa nije prema standardu ISO 6022

* Specificirati kotu prilikom naručivanja.

Ako nije drugačije naznačeno sve dimenzije su u milimetrima.

